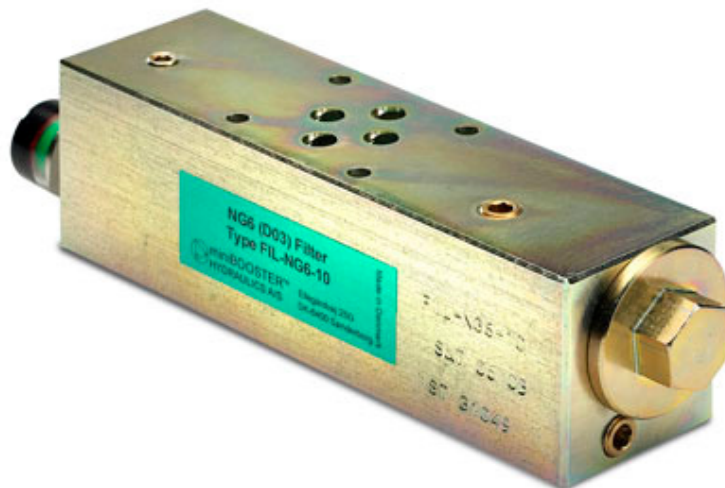




- [Description](#)
- [Dimensions](#)
- [Function diagram](#)
- [Ordering](#)

NG6 Filter

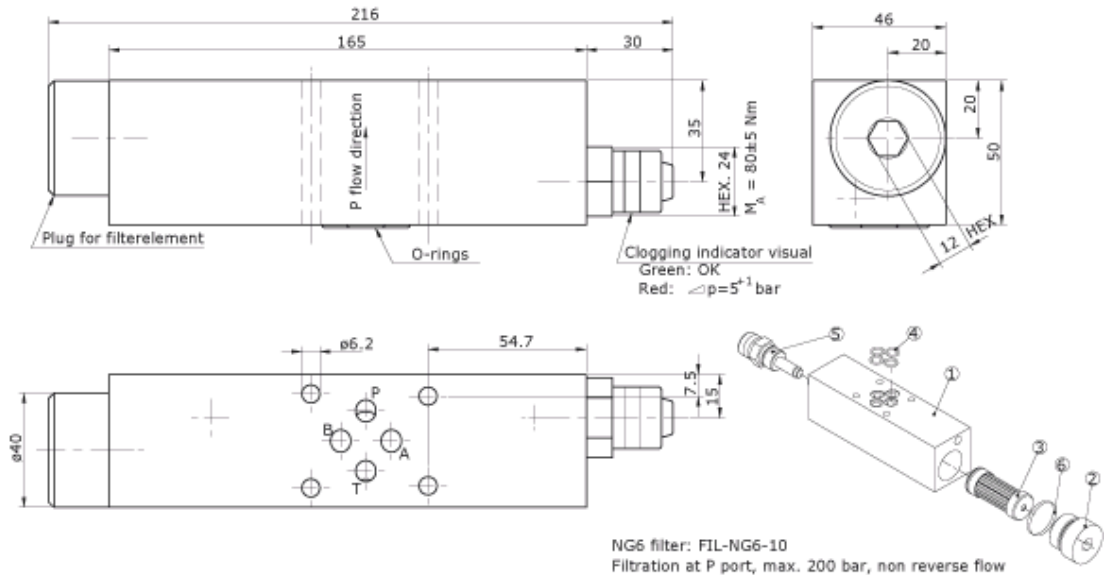


▲ Description

This filter provides protection for NG6 block systems up to 200 bar. It can be mounted directly on the NG6 block offering a very compact assembly. A mechanical clogging indicator is fitted as standard with the electrical version supplied as an optional extra. The standard element filter is 20 micron.

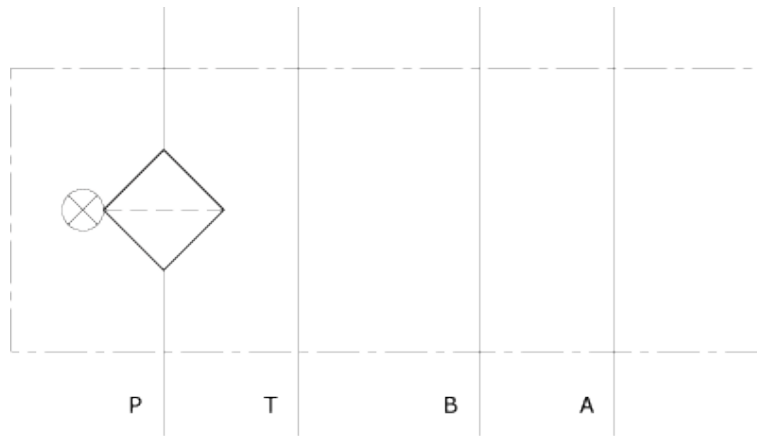
Operating temperatures: 0°C to 100°C

▲ **Dimensions**



1	Block	3-835
2	Plug for filterelement	4-859
3	Filterelement	FIL-KITNG6-10 (sparepart)
4	O-ring	2-824 (sparepart) 4 off
5	Clogging Indicator, visual Clogging Indicator, electric	FIL-NG6-CI (sparepart) FIL-NG6-CIE (Optional)
6	O-ring	2-623 (sparepart)

▲ **Function diagram**



NG6 Filter: FIL-NG6-10

Filter Element: FIL-KITNG6-10 (sparepart)

Clogging Indicator, visual: FIL-NG6-CI (Spare Part)

Dimension drawing: 3-132 & 3-135

0-233 / 19.11.04

▲ **Ordering**

Order no.	Product	In / Out	Overall length	W x D	Weight	Max. pressure
FIL-NG6-10	NG6 filter	NG6 (DO3)	209 mm	50 x 46 mm	2.3 kg	200 bar
FIL-KITNG6-10	Filter element (Spare Part)	-	-	-	-	-
FIL-NG6-CI	Clogging indicator, Mechanical (Spare Part)	-	-	-	-	-
FIL-NG6-CIE	Clogging indicator Electrical (Optional)	-	-	-	-	-

ISO 9001
BUREAU VERITAS
Certification

