



- [Ordering a Manifold Adapter Kit](#)
- [HC3 Adapter Kit](#)
- [Ordering a NG6 Adapter plate](#)
- [Ordering a NG10 Adapter plate](#)
- [Ordering a HC3 Top plate](#)
- [Ordering nuts and brackets](#)

Adapter Kits

▲ Ordering a Manifold Adapter Kit

This connector plate kit provides a convenient method for mounting the miniBOOSTER to a manifold block.



Ordering example: HC2 - KIT - 1

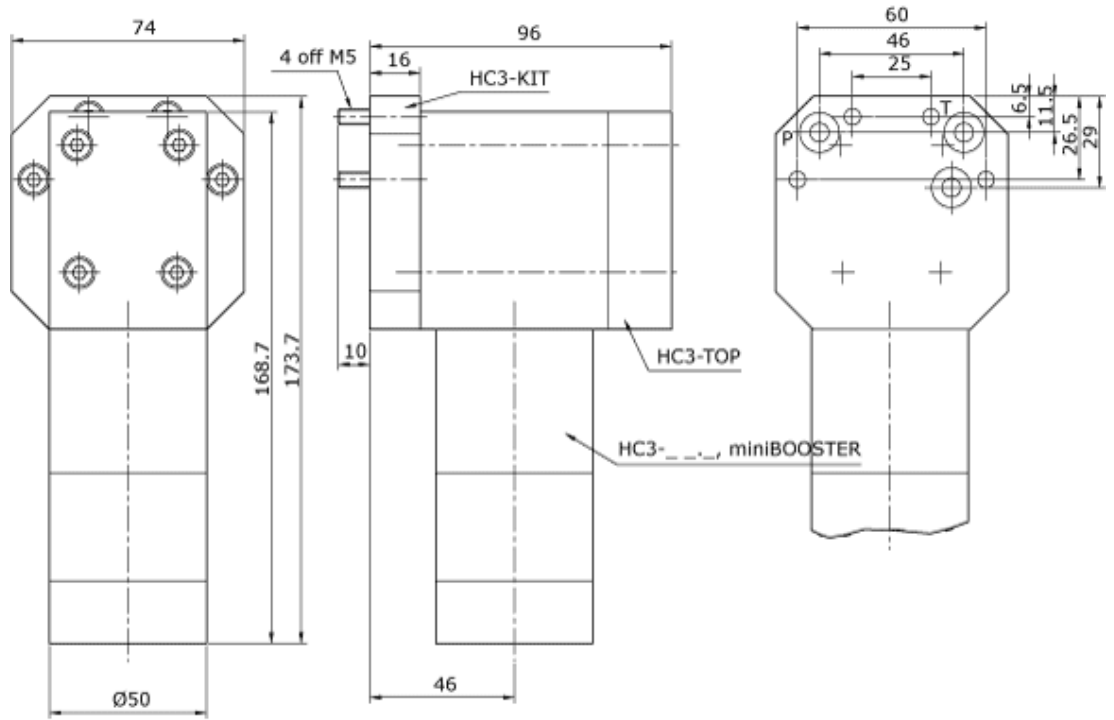
Model	KIT	Connections
your selection...	KIT	your selection...
HC1		1 = BSP
*HC2		2 = UNF
HC2W-KIT		
HC2D-KIT		
HC2D-H KIT	H-KIT	
HC3-KIT		
HC4		
HC5-KIT	HP-KIT	
HC5-HP-KIT-1		
HC6		
HC6D-KIT		
HC6D-H-KIT-1	H-KIT	
HC6D2-KIT		

*Applicable for HC7 + HC8:

▲ **HC3-KIT**

This connection provides a convenient method for mounting the standard HC3 miniBOOSTER to the "Parker SD 400" hole pattern.

The HC3-KIT allows a fast replacement of a competitor product with a standard HC3, adding the feature of an incorporated operated dump valve as a standard.

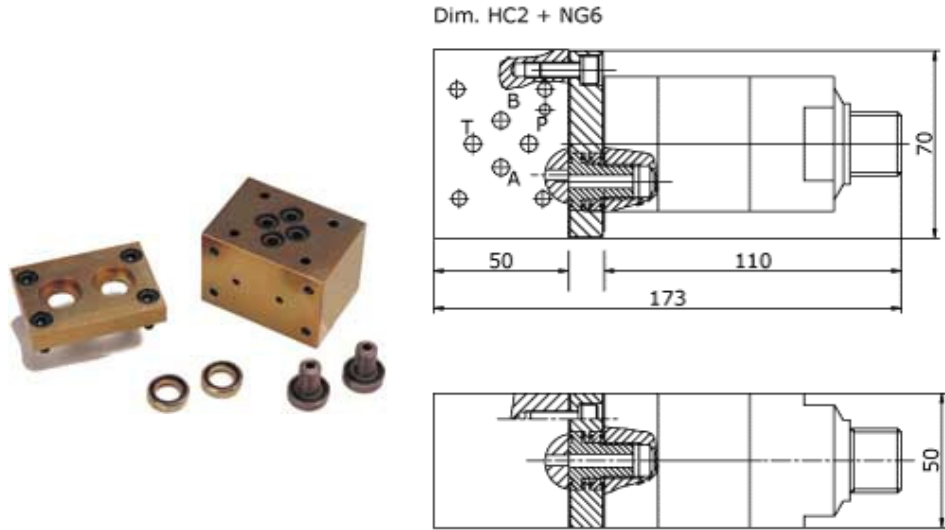


3-156 / 28.10.04

Ordering example: HC3-KIT

▲ **Ordering a NG6 Adapter plate**

An NG6 adapter plate is available for situations where it is required to develop the full 800 bar pressure capability of the HC2.



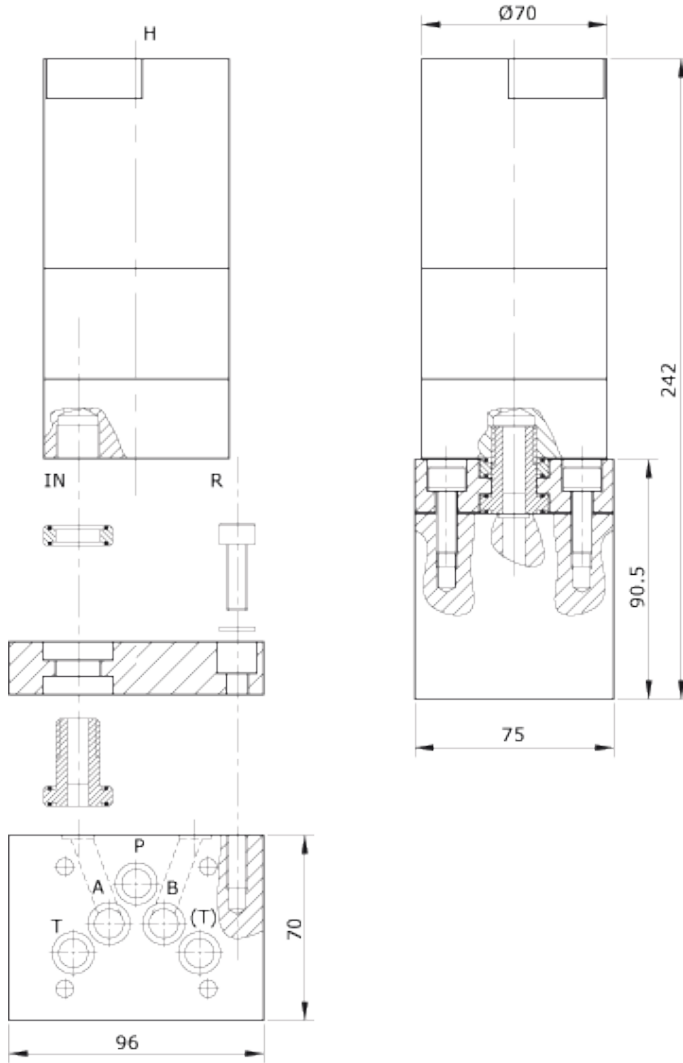
0-116 / 11.06.01

Ordering example: HC2 - NG6 - 2

Model	NG6	Connections
your selection...	NG6	your selection...
		1 = 1/4" BSP
		2 = 7/16-20 UNF

▲ **Ordering a NG10 Adapter plate**

An NG10 adapter plate is available for situations where it is required to develop the full 800 bar pressure capability of the HC4.



4-107 / Issue 2

Ordering example: HC4 - NG10 - 2

Model	NG10	Connections
your selection...	NG10	your selection...
		1 = 3/8" BSP
		2 = 9/16-18 UNF

▲ **Ordering a HC3 Top plate**

HC3 Top connects P -> A and T -> B on a HC3 miniBOOSTER or on a NG6 Adapter Plate.



Ordering example: HC3-Top

▲ **Ordering nuts and brackets**



Order no.

your selection...

2-673

2-674

Product

M24 nut

Mounting bracket for HC1 & HC2

ISO 9001
BUREAU VERITAS
Certification

