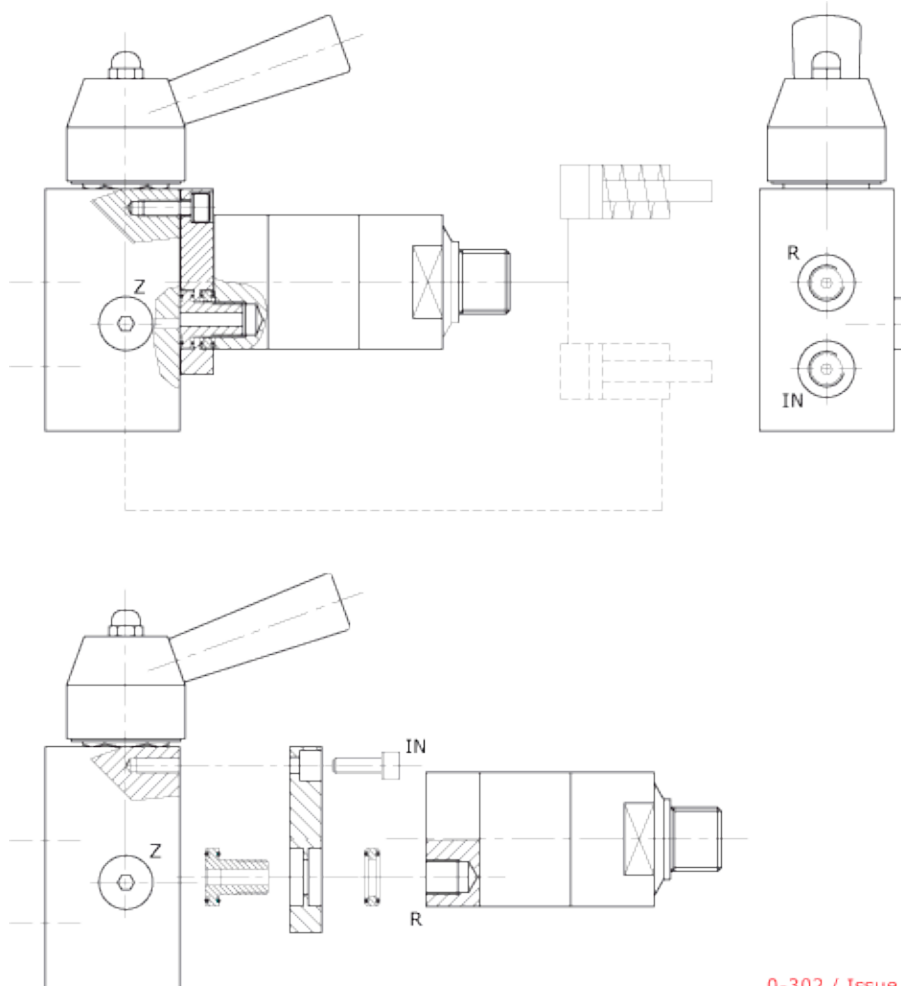
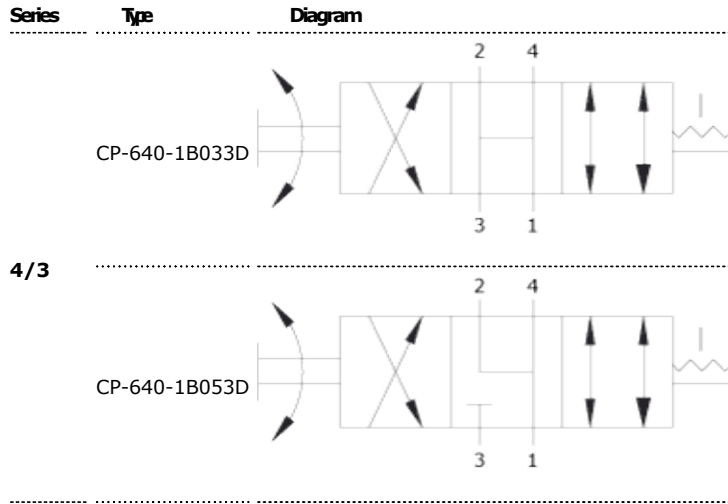




- Ordering

Manually Operated Valves





▲ **Ordering a Manual Cartridge Valve**

Ordering example: CP-640-1B033D, cavity: C10-4

Model		Operation
your selection...	—	your selection...
Series Type	Cavity	Operation
4/3	CP-640-1B033D C10-4	D Dentent with handle
	CP-640-1B053D C10-4	

