



- [Description](#)
- [Specifications](#)
- [Dimensions](#)
- [Functions](#)
- [Connections](#)
- [Ordering a POV-2000](#)

POV-2000 Pilot Operated Check Valve



▲ Description

The POV-2000 is a high pressure pilot operated check valve designed for use with high pressure cylinders, being

able to return high volume of oil with minimum pressure loss.

The unit contains a screen that will protect the valve from dirt from high pressure side. The unit is weighing only 2.5 kg

▲ Specifications

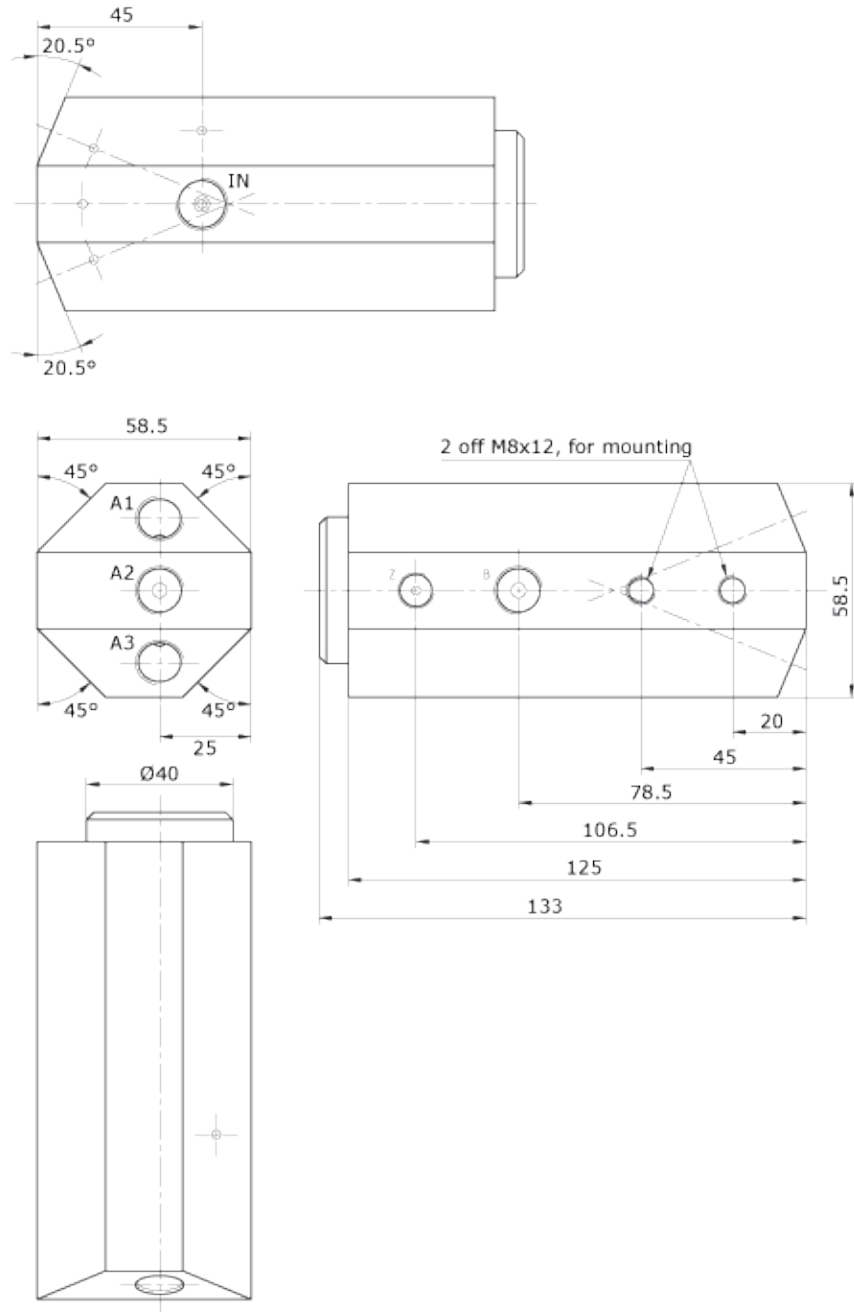
Operating Pressure: Up to 2,000 bar

Flow: Up to 15 LPM at 3 bar pressure drop

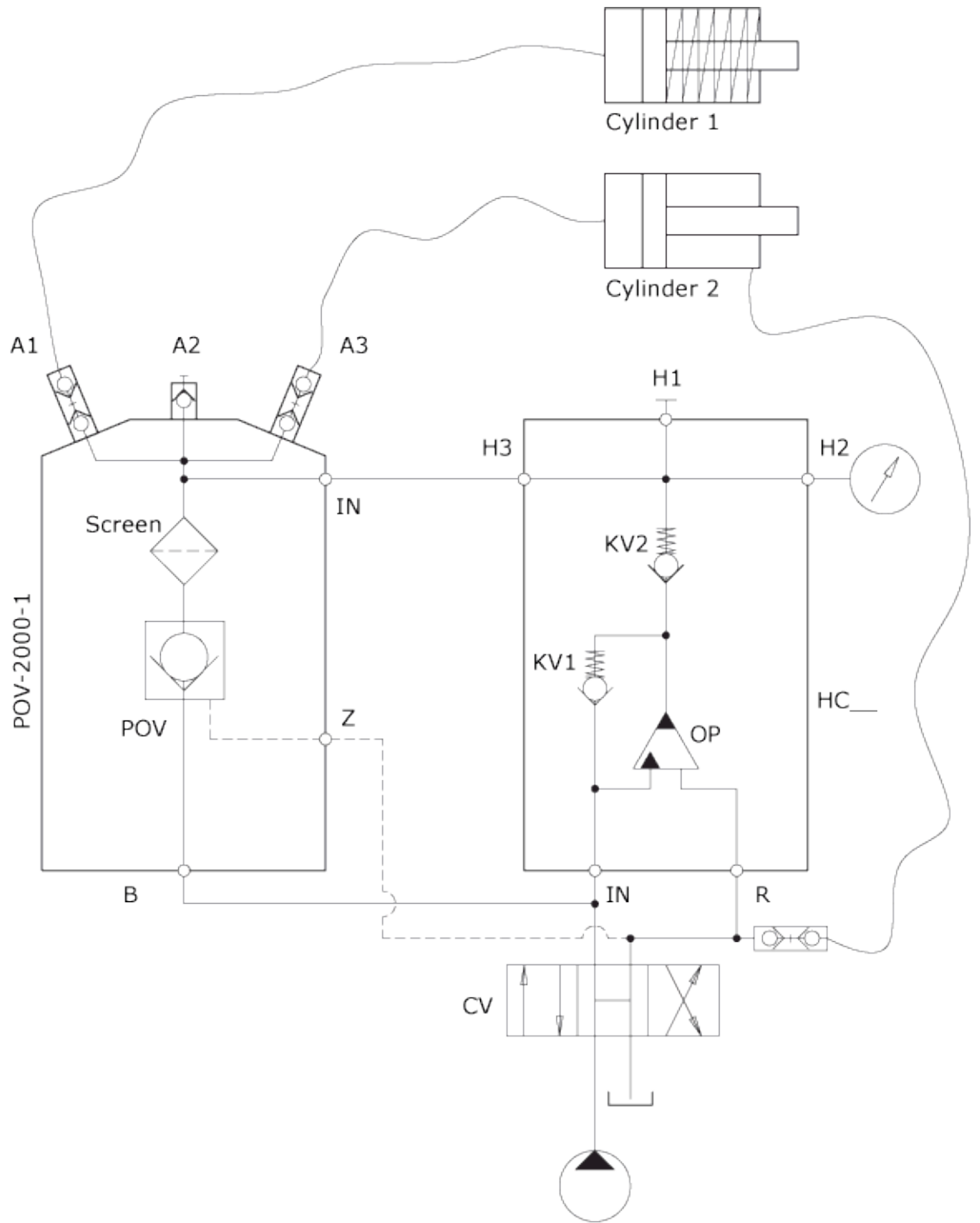
Pilot ratio: 18.7 to 1

Min. opening (clearance) diameter \varnothing : 4.2 mm

▲ Dimensions



▲ Functions



▲ **Connections**

A1, A2, A3: 1/4" BSP, 120 sealing cone (max. 2,000 bar)

B: 1/4" bsp (max. 200 bar)

z: 1/8"BSP (max. 200 bar)

IN: 9/16" - 18 UNF, 60 sealing cone (max. 2,000 bar)

ISO 9001
BUREAU VERITAS
Certification



▲ **Ordering a miniBOOSTER POV-2000**

Ordering example: POV-2000-1