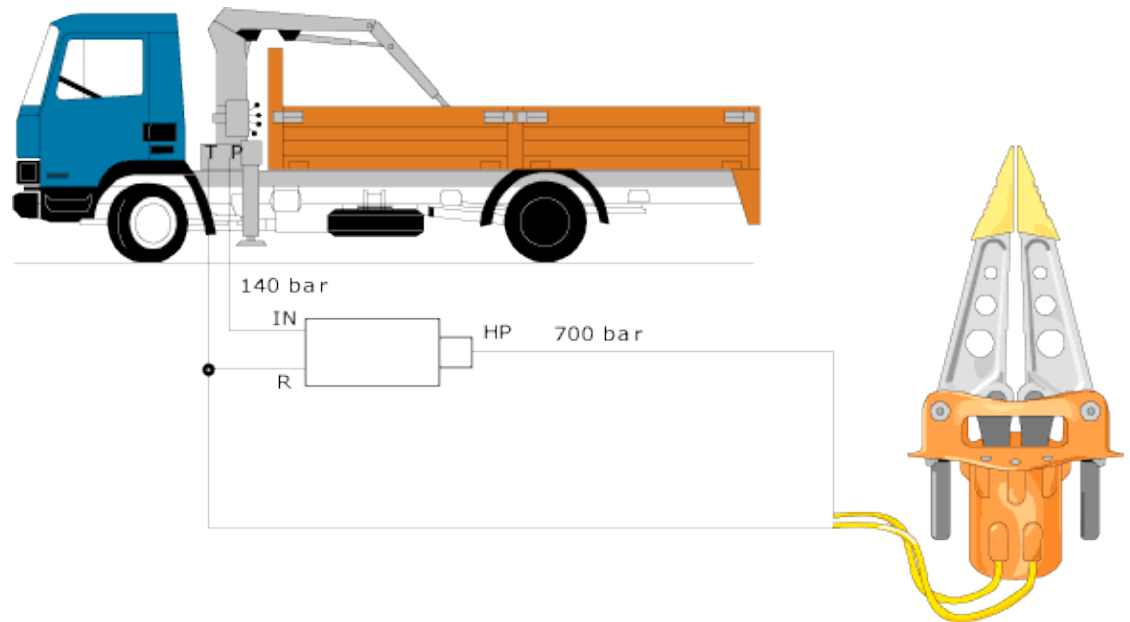




See examples of applications within:

- Rescue
- Offshore
- Power packs
- Railroad
- Work holdings

## Mobile Applications



miniBOOSTER is commonly used to supply high pressure to attachments where small cylinders and high force are required.

The miniBOOSTER can utilise the low pressure vehicle hydraulic system to supply high pressure to operate high pressure tools, compared to using expensive high pressure pumps with flexible hoses.



ISO 9001  
BUREAU VERITAS  
Certification



**Well-proven applications:**

- Mini demolition tools
- Pile drivers
- Tools in man lifts