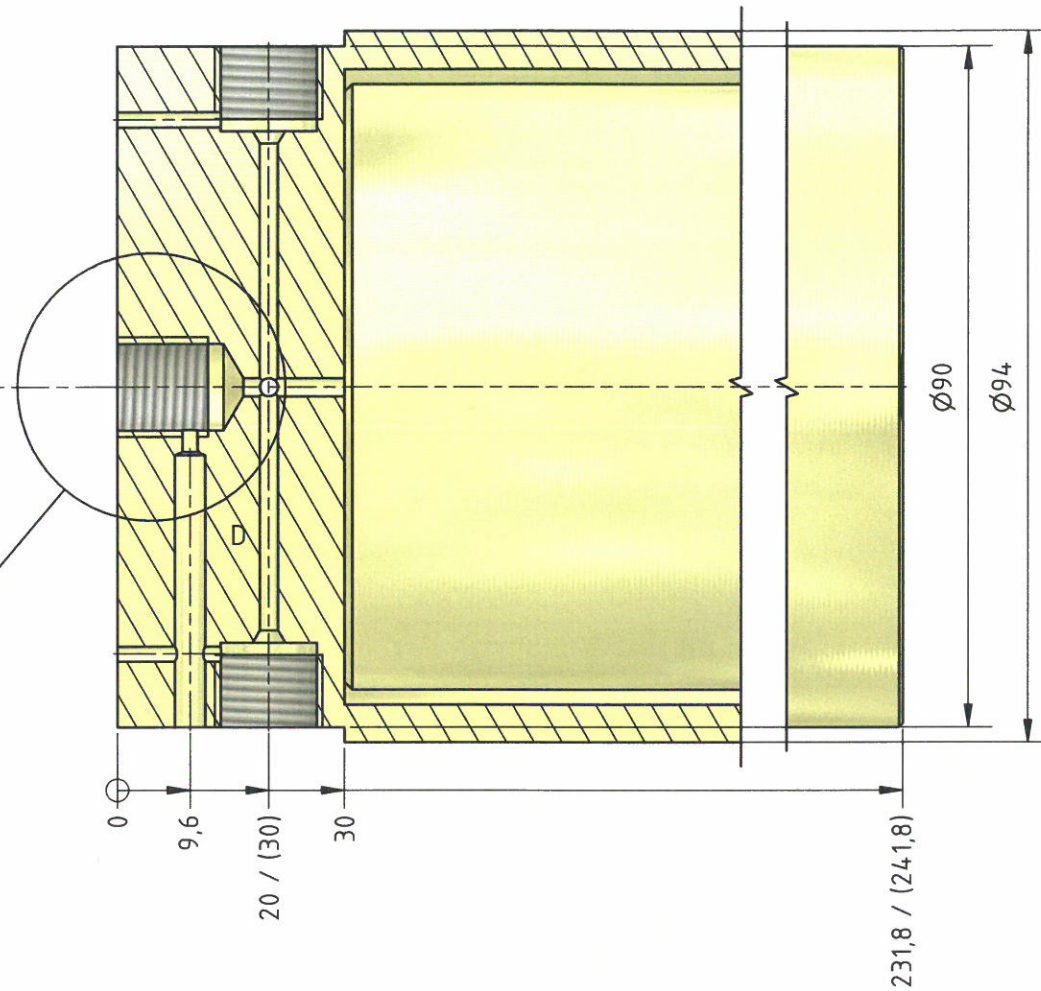
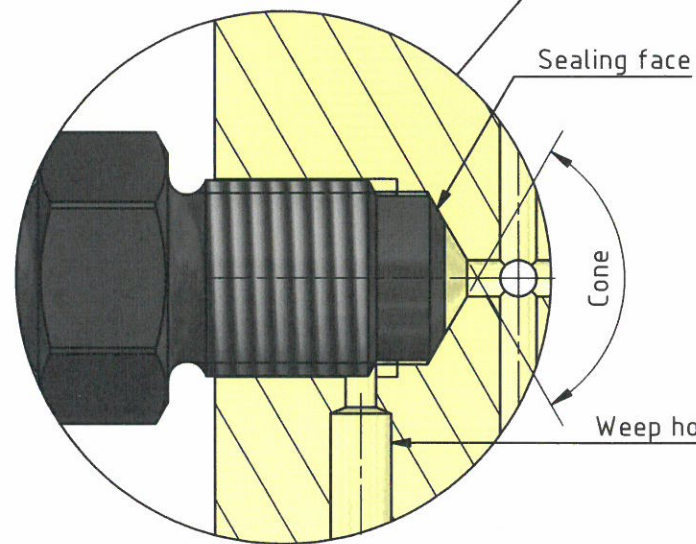
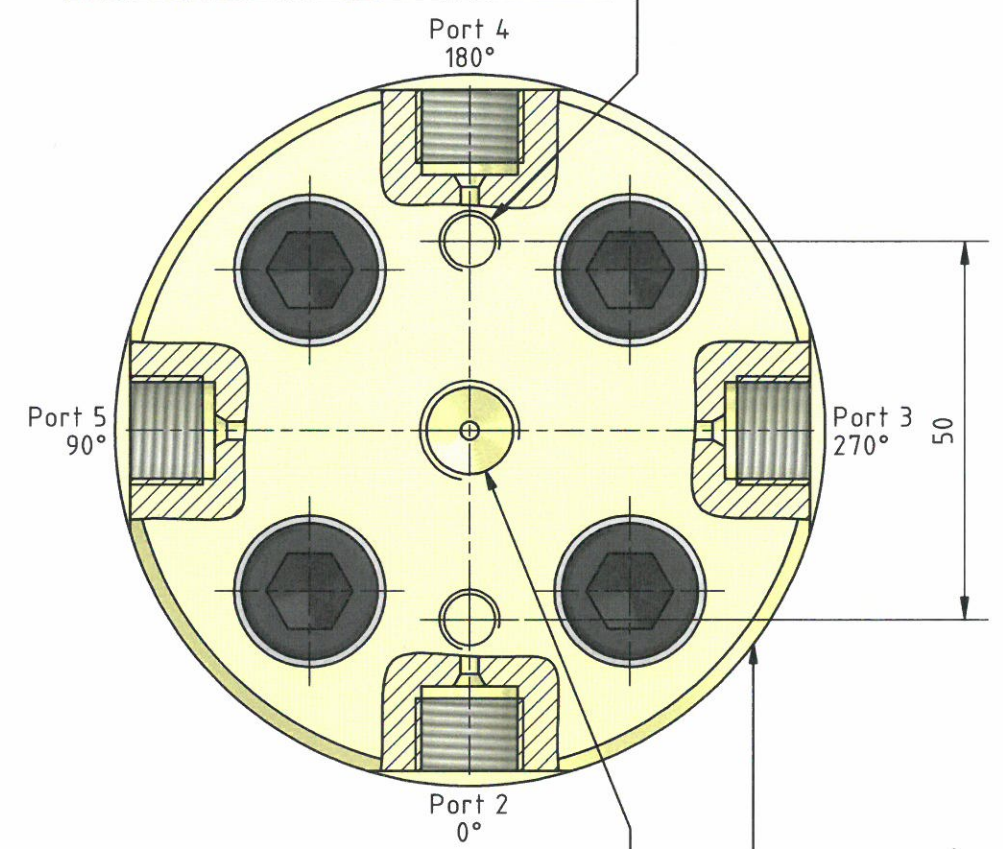


A-A (1:1)



Mounting option: 2x M8 x 10. Max depth: 14

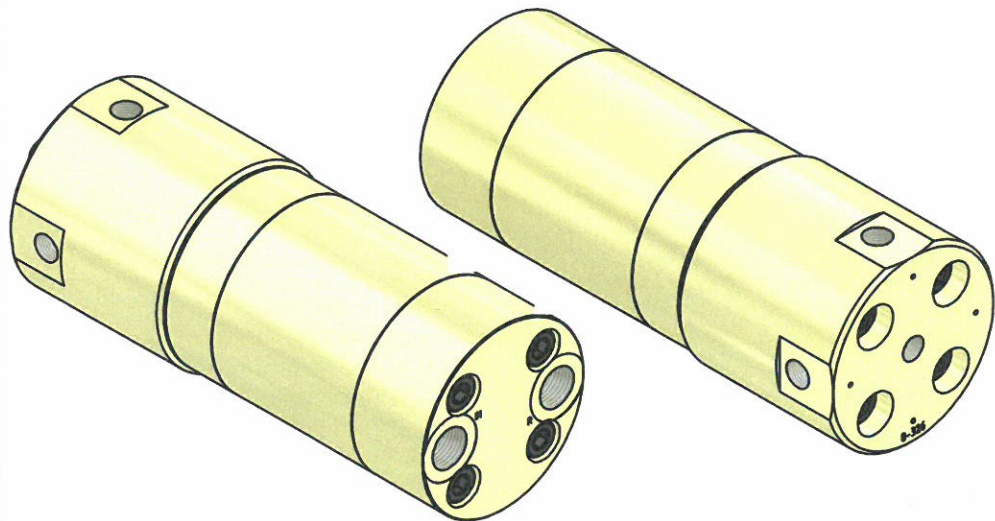


NB.: Total length depends on mounting plate. Please refer to drawing 8-900-__

Port 1
All HP port connection options: Drawing 8-900-__

Option:
All high pressure plates can be mounted and turned 90°, 180° or 270°. Standard mounting as shown.

Function diagram: 9-105-__



HC8 ordering code	IN & R
HC9-__-__-1	1/2" BSPP
HC9-__-__-2	3/4-16 UNF

Material		Issue	Material Code No.
Changes	Date	Name	Finish
New issue	18.02.08	L.H.	
Drill depth of M8 added	23.10.15	L.H.	Break all edges
Drawing renewed with 3D-model	26.05.16	B.P.	Hardening depth
Port connection details added (cone)	09.10.17	B.P.	HV
Designer	Leif Hansen	Scale	HC9-__-__-__ Hydraulic Booster
Approved by	<i>[Signature]</i>	1:1 Format A3	
Date	04.06.03	Assembly Drawing	Drawing No.: 9-120-12

