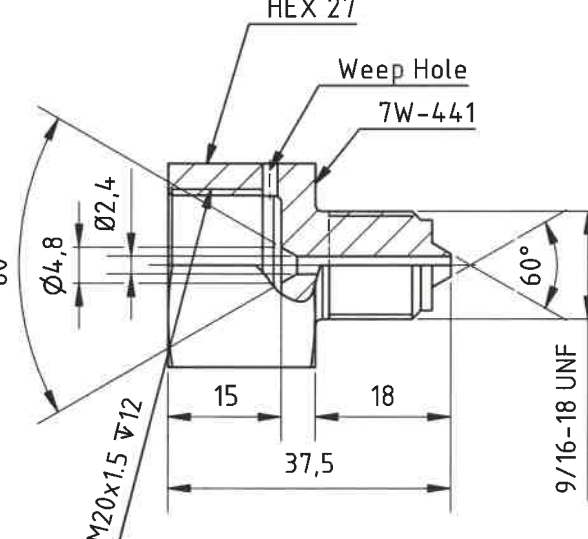
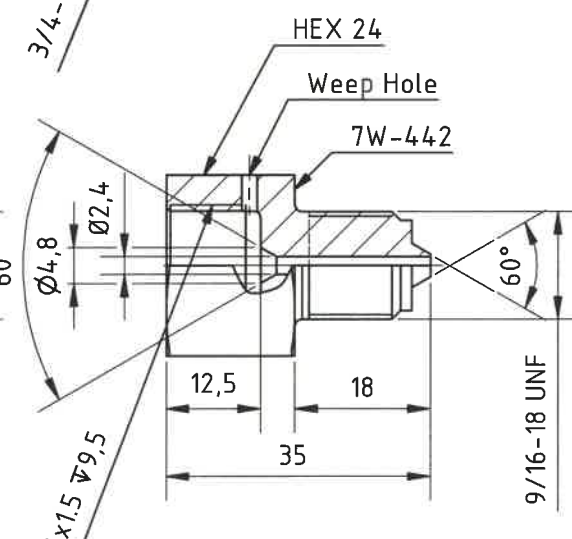
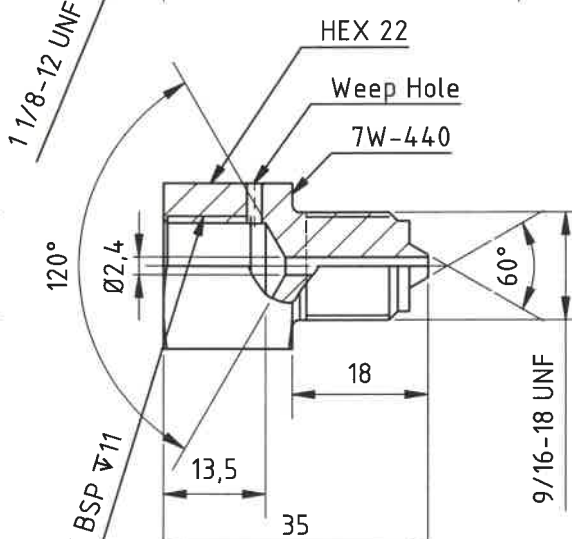
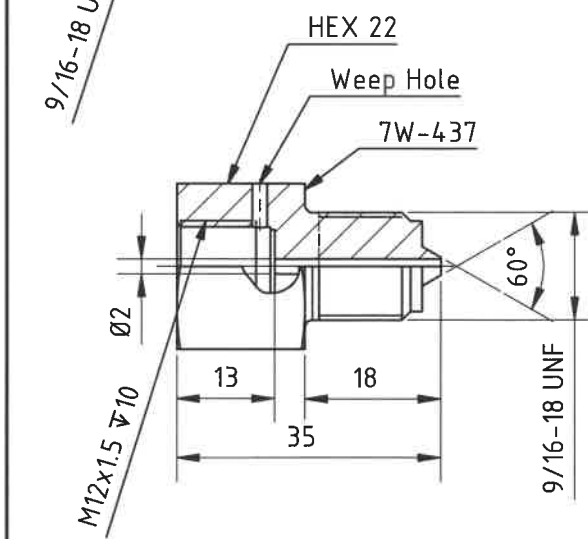
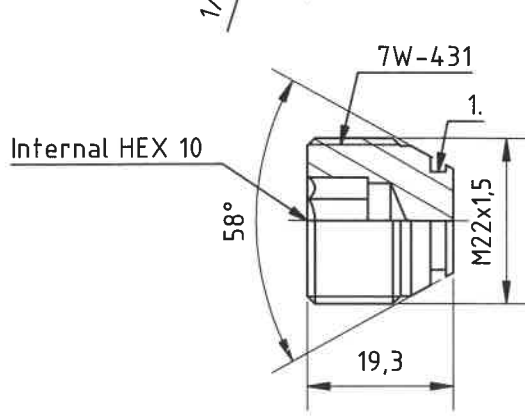
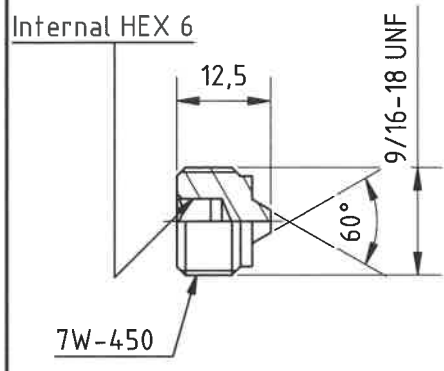


M22x1,5 HC7W HP Adapters		
Ordering Code	HP Connection	Max. Pressure
7W-430	3/4-16 UNF (3/8 HP)	2.000 bar
7W-432	9/16-18 UNF (1/4 HP)	2.000 bar
7W-433	1/4" BSP	2.000 bar
7W-436	M16x1,5	2.000 bar
7W-439	1/4" BSP	800 bar
7W-444	1/2" BSP	2.000 bar
7W-446	9/16-18 UNF (3/8 MP)	1.380 bar
7W-448	1 1/8-12 UNF (9/16 HP)	2.000 bar
7W-451	1/4" NPT	1.035 bar



9/16-18 UNF HC7W HP Plug	
Ordering Code	Max. Pressure
7W-450	2.000 bar

M22x1,5 HC7W HP Plug	
Ordering Code	Max. Pressure
7W-431	2.000 bar



9/16-18 UNF HC7W HP Adapters		
Ordering Code	HP Connection	Max. Pressure
7W-437	M12x1,5	2.000 bar
7W-440	1/4" BSP	2.000 bar
7W-441	M20x1,5	2.000 bar
7W-442	M16x1,5	2.000 bar

Tightening Torque	
M22x1,5 (Male)	9/16-18 UNF (Male)
70 Nm	28 Nm

Material		Issue	Material Code No.
Changes	Date	Name	Finish
7W-446 added	23.09.2016	L.H.	Break all edges
7W-430 added	15.02.2017	L.H.	Hardening depth
1.: Matrix with O-Ring types added		01.12.2017	L.H.
7W-451 added	05.02.2018	L.H.	HV
M22x1,5 (male) 70 Nm		13.09.2019	L.H.
Designer	Leif Hansen	Scale	1:1
Approved by		Format	A3
Date	11.03.2013	HC7W Adapter	
		Connection Possibilities	
<small>Confidential: Property of miniBOOSTER HYDRAULICS A/S Denmark Not to be handed over to, copied or used by third party.</small>			
Drawing No.:			7W-900-07