

# Dual Media Intensifier

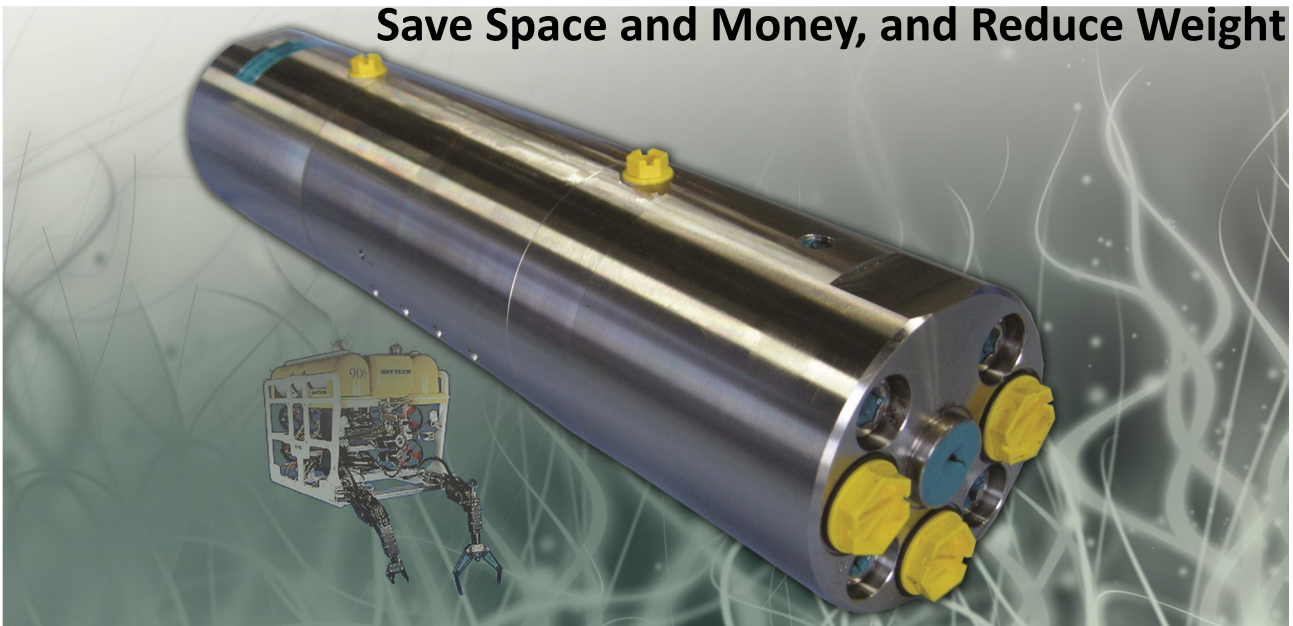
Ideal solution for ROV tooling

The miniBOOSTER HC6D2W is designed and manufactured for operation wherever it is needed. Constructed of premium quality stainless steel and available in a range of intensification ratios.

#### Examples of usage:

- ▶ High-pressure cleaning
- ▶ Seal testing
- ▶ Methanol injection
- ▶ Chemical injection
- ▶ High-pressure unit to 800 bar. Higher pressures upon request
- ▶ Capable of pumping sea water & methanol
- ▶ Simple design and field replaceable seals extend serviceability
- ▶ Eliminates need for IPU in many applications (Intermediate Power Unit)
- ▶ Capable of 5.8 l/min at 700 bar (1.5 GPM at 10.000 psi)
- ▶ Measures only 100 mm x 445 mm
- ▶ Low weight - only 24 kg

**Save Space and Money, and Reduce Weight**

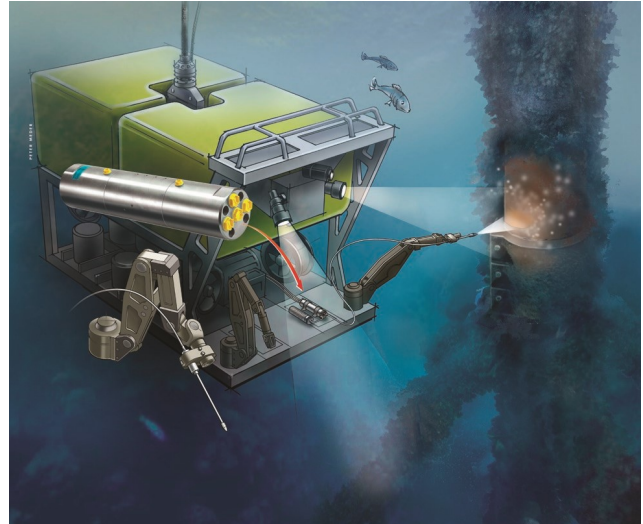


**MINIMUM SIZE – MAXIMUM POWER**

**Description**

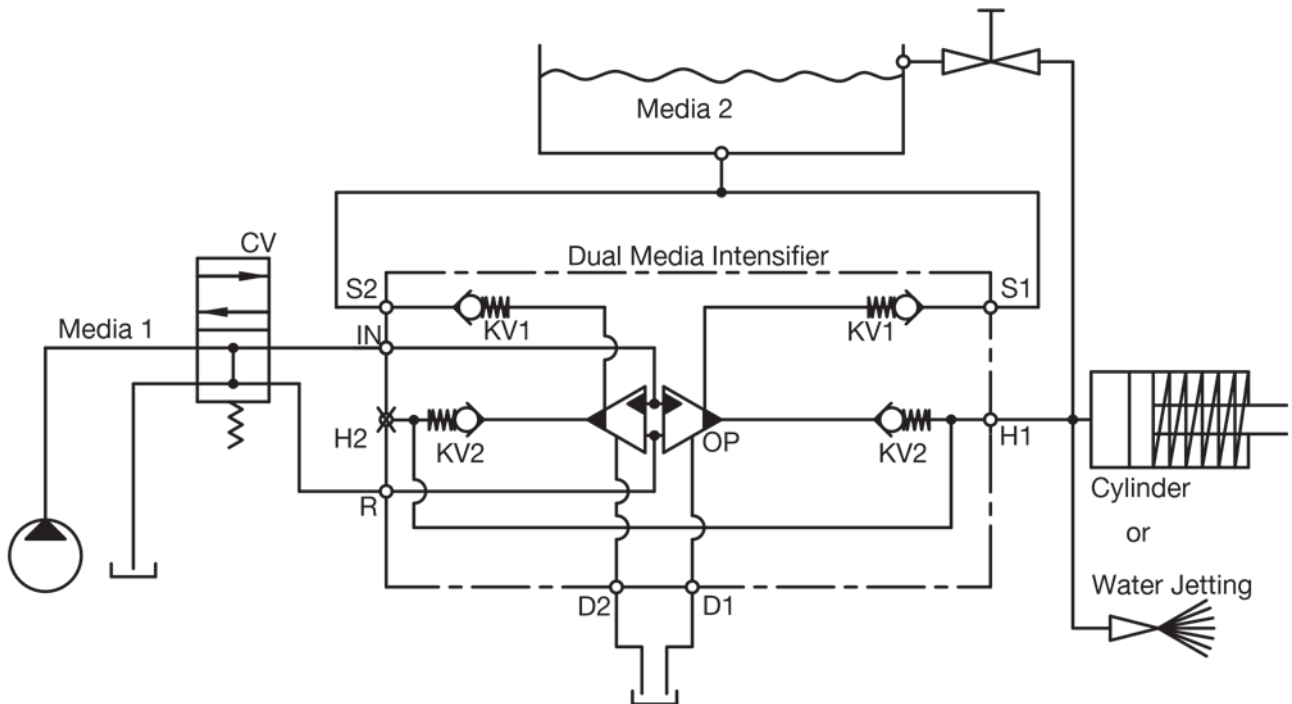
The HC6D2W is a dual media unit which is capable handling of up to 28 l/min flow on the high-pressure end. Like other miniBOOSTER models, the HC6D2W raises supplied pressure to a higher outlet pressure and automatically compensates for consumption of oil to maintain the high pressure.

Adjustment of the outlet pressure is carried out by varying the supplied pressure. Relative to its flow capability, the HC6D2W is a compact unit weighing only 24 kg.



ROV mounted with a HC6D2W (Dual Media Intensifier)

**Drawing**



6D2—105 Issue 1