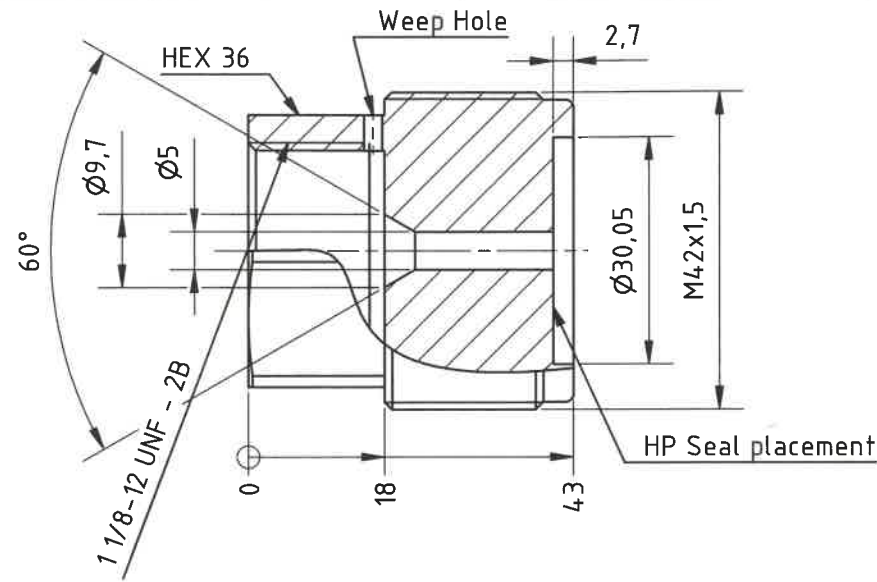
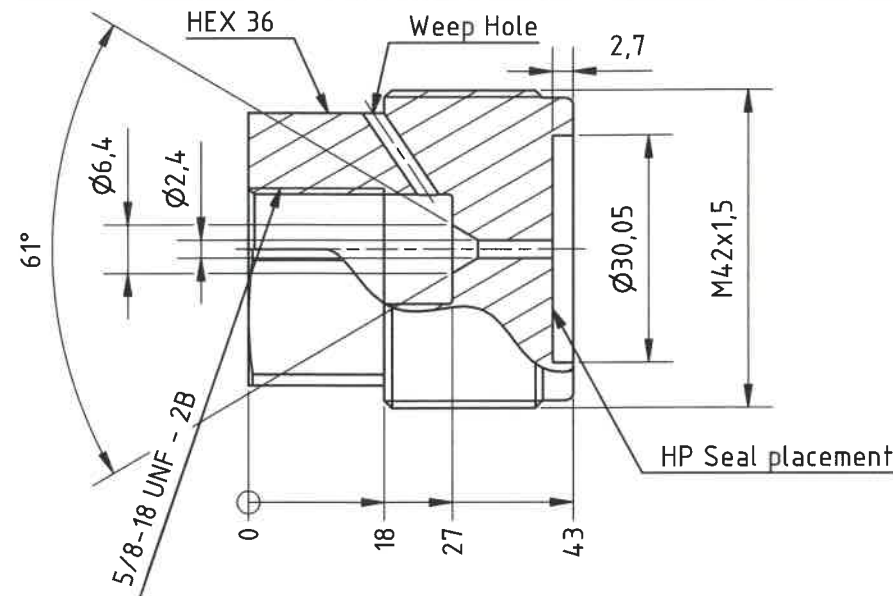


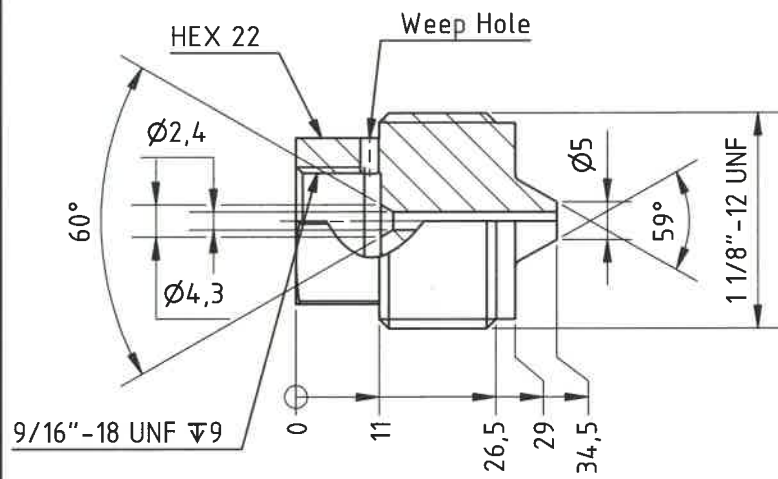
M42x1,5 HC6H HP Adapter			
Ordering Code	UHP Connection	Max. Pressure	HP Seal
6-832	1 1/8"-12 UNF (9/16 HP)	5.000 bar	6-615



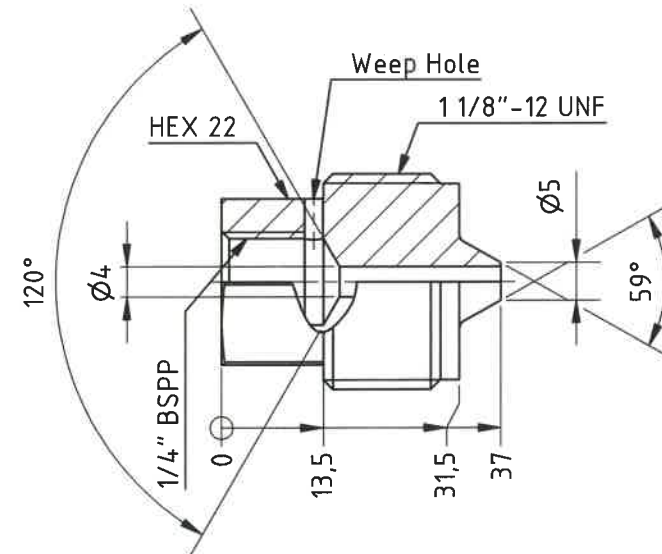
M42x1,5 HP Adapter			
Ordering Code	UHP Connection	Max. Pressure	HP Seal
6-836	5/8"-18 UNF (1/4 UHP)	5.000 bar	6-615



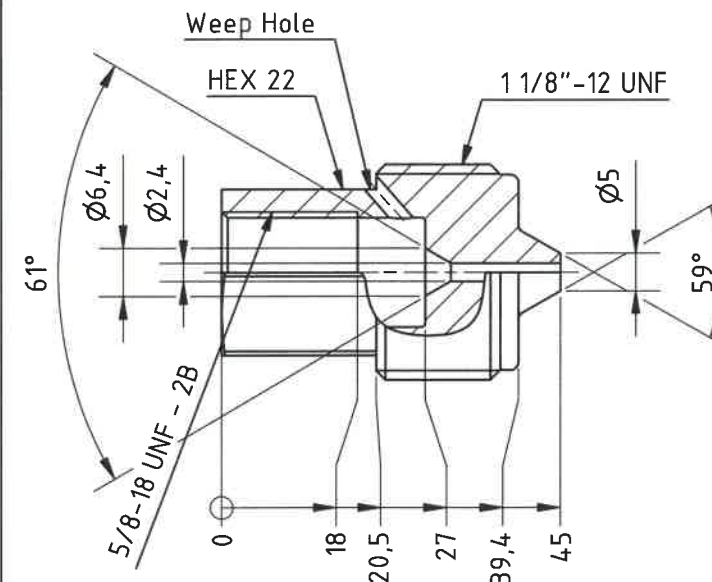
1 1/8"-12 UNF HP Adapter		
Ordering Code	UHP Connection	Max. Pressure
6-834	9/16"-18 UNF (1/4 UHP)	5.000 bar



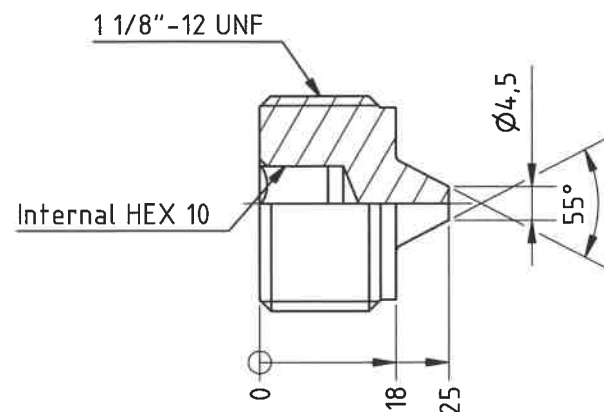
1 1/8"-12 UNF HP Adapter		
Ordering Code	HP Connection	Max. Pressure
6-835	1/4" BSPP	3.000 bar



1 1/8"-12 UNF HP Adapter		
Ordering Code	UHP Connection	Max. Pressure
6-837	5/8"-18 UNF (1/4 UHP)	5.000 bar



1 1/8"-12 UNF HP Adapter		
Ordering Code	UHP Connection	Max. Pressure
6-833	1 1/8"-12 UNF	5.000 bar



Material		Issue	Material Code No.
Changes		Date	Name
Adapter 6-834 added		08-03-2017	L.H.
Adapter 6-835 added		28-09-2017	L.H.
Adapter 6-836 & 6-837 added		26-10-2020	L.H.
6-832 & 6-836: HP seal groove added		24-02-2021	L.H.
			HV
Designer	Leif Hansen	Scale 1:1	HC6H (U)HP Adapter Connection Possibilities
Approved by	<i>Leif Hansen</i>	Format A3	
Date	09-12-2016		
Assembly Drawing			Drawing No.: 6H-900-04



Confidential: Property of miniBOOSTER HYDRAULICS A/S Denmark  
Not to be handed over to, copied or used by third party.