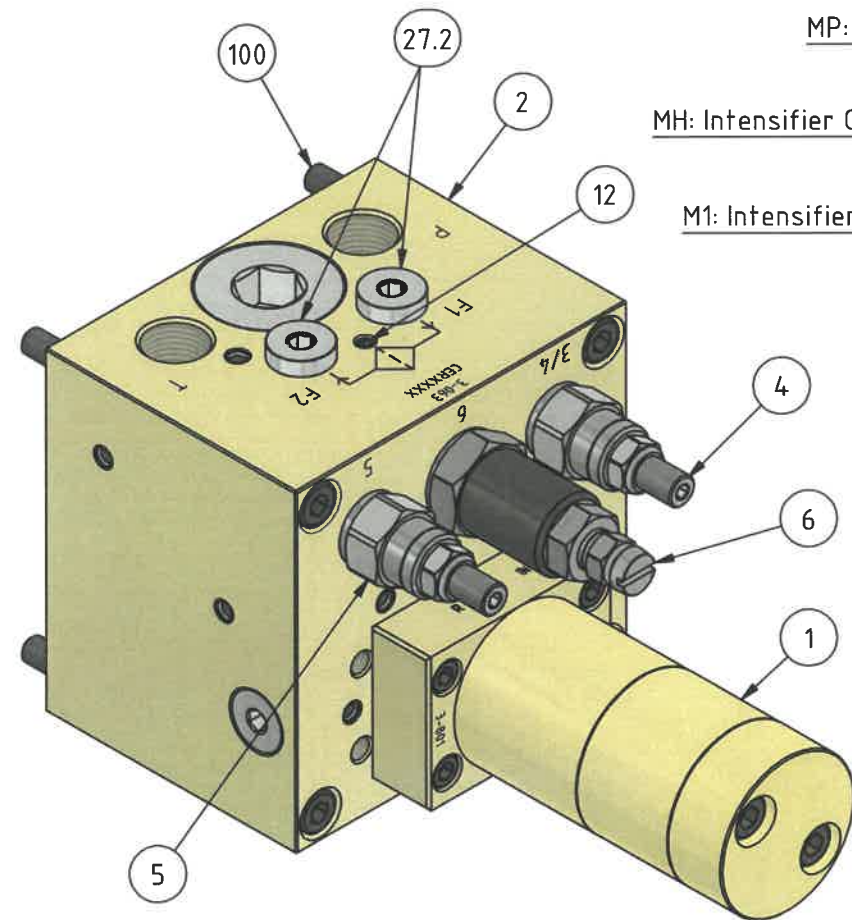
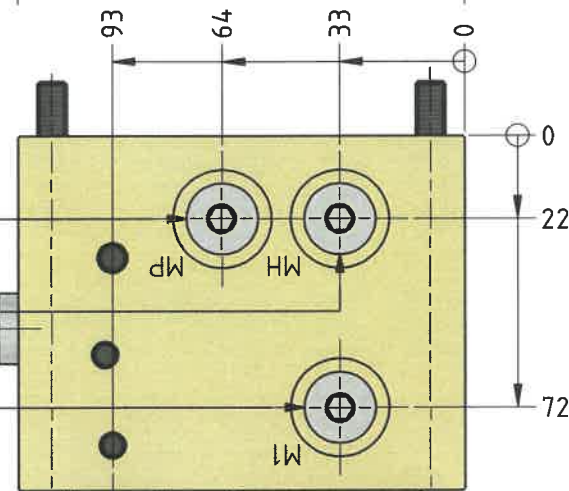


Manometer Connections:

MP: Pump Pressure

MH: Intensifier Outlet Pressure

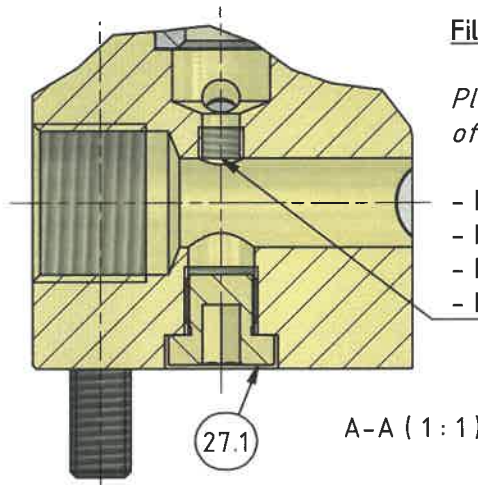
M1: Intensifier Inlet Pressure



Filter Installation Guide:

Plug installation position for bypass of oil to filter connection F1 & F2.

- Remove plug 12 from rest position
- Install plug 12 behind plug 27.1 in port connection FB
- Remove plugs 27.1 & 27.2 from port connections F1 & F2
- Install filter between port connections F1 & F2



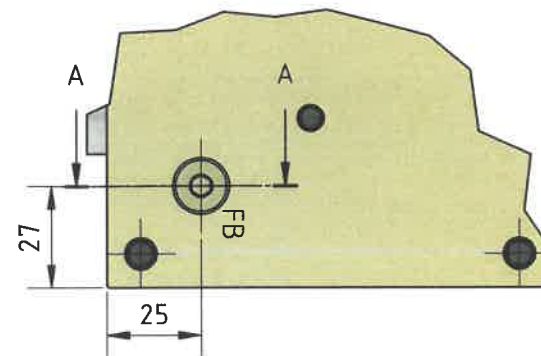
Port Connections:

- P, T, Z & H: 1/2" BSPP
- F1, F2, M1, MP & MH: 1/4" BSPP
- FB: 1/8" BSPP

PARTS LIST

| ITEM | QTY | PART NUMBER | DESCRIPTION | SW1 | SW2 |
|------|-----|--------------|-------------------------------------|----------------------|-----------------------|
| 1 | 1 | HC3-__-__-D | Hydraulic Booster | | |
| 2 | 1 | 3-063 | Manifold | | |
| 4 | 1 | W-SP11A-30CL | Sequence Valve (10.5-420 bar) | 22mm_7/8" ~ 47 Nm | Int. hex 4mm / 14.3mm |
| 5 | 1 | W-PB11A-30AL | Pressure Reducing Valve (7-210 bar) | 22mm_7/8" ~ 47 Nm | Int. hex 4mm / 14.3mm |
| 6 | 1 | MVE 4 A | Relief Valve (0-700 bar) | 27mm ~ 80 Nm | Slotted / 13mm |
| 12 | 1 | 4-621 | M6x6 DIN 913 | Int. hex 3mm ~ 10 Nm | |
| 100 | 4 | 3-615 | Bolt M8x100 12,9 DIN 912 | Int. hex 6mm ~ 38 Nm | |
| 27.1 | 1 | 1-630 | Plug 1/8" BSPP incl. seal | Int. hex 5mm ~ 15 Nm | |
| 27.2 | 6 | 2-630 | Plug 1/4" BSPP incl. seal | Int. hex 6mm ~ 30 Nm | |

| | | | |
|---|--|--------------------|-------------------|
| Material | | Issue | Material Code No. |
| Changes Manifold replaced with 3-063 | | Date 09-08-2018 | Name L.H. |
| Manifold updated inside | | Date 17-02-2023 | Name L.H. |
| | | | Hardening depth |
| | | | HV |



| | | | | |
|-------------|--------------------|----------------|--------------------|---------------------------------|
| Designer | Leif Hansen | Scale 1 : 2 | M-HC3-013-1L100 | |
| Approved by | <i>[Signature]</i> | Format A3 | Intensifier System | |
| Date | 14-03-2016 | | Assembly Drawing | |
| | | | | Drawing No.: M-HC3-013-1L100-02 |

Confidential: Property of miniBOOSTER HYDRAULICS A/S Denmark
Not to be handed over to, copied or used by third party.

miniBOOSTER HYDRAULICS A/S